

Cookie FUEL SIDE MOUNTS



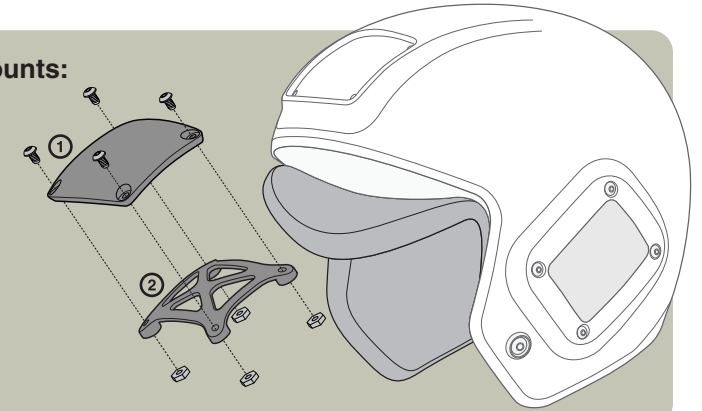
Removing your side mounts:

To remove or change your Fuel's side mounts, simply undo the screws, pull away the liner and remove the part. Your Fuel has a standard blank plate, that fits Larsen & Busgaard's Solo-II, Optima-II and Quattro audible altimeters. You can upgrade your side mounts to an open audible altimeter window that allows you to access your units without removing them. There are three models available, L&B standard (Solo-II, Optima-II and Quattro), L&B ProTrack and Alti-2 N3. You can also fit the Fuel's flat mount that allows you to mount a Contour with Cookie's Contour Rail or a Sony NS15 using Cookie's Sony Sleeve on the side of your Fuel.

Cookie FUEL TOP MOUNTS

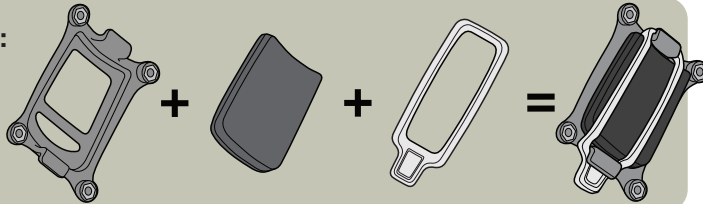
Removing your top mounts:

Your Fuel comes with a standard blank top plate (1) that can be easily exchanged by three optional GoPro mounts. To change your your mount pull the top liner piece, undo the screws and remove the blank plate. Place your new mount in position and redo the screws, make sure the top insert (2) is aligned with the holes. The insert holds the nuts for the screws and should sit between the liner and the shell.



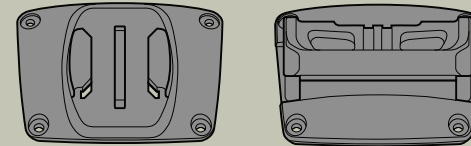
Fitting your altimeter:

To fit your altimeter in the mount, first place the unit into the groove and then lock it in position using the Fuel bungee.



GoPro Mount

Uses the GoPro classic system giving you the possibility to easily detach and adjust your camera without the use of any tools. We advise to use this mount with our cutaway system.

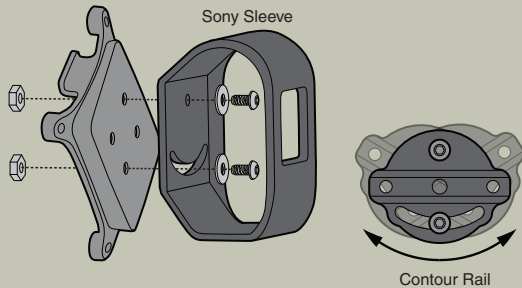


GoPro Roller

Offers you the safety of a snag free low profile mount and 75 degrees of angle adjustment with all moving parts are made of light weight milled aluminum.

Flat Mount

Sony Sleeve

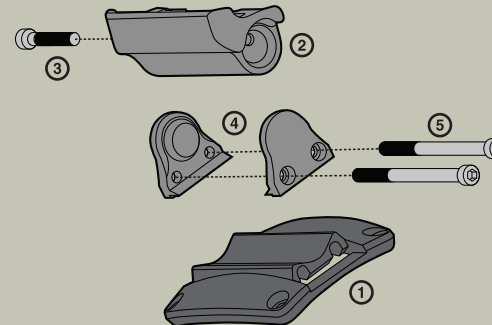


Fitting your Sony NS15 or Contour:

In order to fit any side mount camera you will need first to install the Fuel's flat mount. The flat mount fits both sides of your fuel helmet. Its hole pattern allows you to mount either a Cookie Contour Rail or a Cookie Sony Sleeve. Both adapters allow you to your camera XX degrees up or downwards.

fly **Cookie.com**

GoPro Roller Mount Assembly:



The GoPro Roller is available for both Hero-2 and Hero-3 models and requires the camera to be inside the transparent case to fit in. To assemble your Roller Mount first screw your base plate (1) to the top of your Fuel. Next place your GoPro onto the top roller (2) and lock it in position with the internal screw (3). Once that is done put your top roller (2) on the base plate (1) and place the side clamps (4). Insert the long screws (5) and tight the system in the desired angle. Your top roller can also be mounted facing backwards.