



RIGGING INNOVATIONS
 P.O. BOX 86
 ELOY, AZ 85131, USA
 520-466-2655/520-466-2656 (FAX)
 WWW.RIGGINGINNOVATIONS.COM

CURV 2.0 ORDER FORM



Fabric	Cordura
Stainless Steel	Full
Harness Style	Multi-Flex (Hip & Chest Rings)
Back Strap	Inset
Chest Strap	<input type="checkbox"/> Ty-17 1" <input type="checkbox"/> Ty-8 2"
Harness Ring	Mini
Main Risers	Ty-17 1"
Harness Color	
Leg Hardware	Thread thru
Leg Pads	Double wide
Deployment	<input type="checkbox"/> BOC <input type="checkbox"/> POP
Pilotchute/ZP	<input type="checkbox"/> 26" <input type="checkbox"/> 30"
Bridle	Kill-line
Handle	<input type="checkbox"/> Hackey <input type="checkbox"/> Monkey Fist <input type="checkbox"/> Freefly
Reserve Ripcord	<input type="checkbox"/> Metal <input type="checkbox"/> Pillow <input type="checkbox"/> Color:
Release Handle	<input type="checkbox"/> Color:
RSL	<input type="checkbox"/> Lanyard <input type="checkbox"/> Setup - no lanyard
AAD setup	<input type="checkbox"/> Cypres 2 <input type="checkbox"/> Vigil 2 / 2+ <input type="checkbox"/> Mars M2
CONTAINER COLORS	
Trim Tape Color	
Reserve Top Flap (1)	
Center-Flap (2)	
Main Side (3)	
Main Side Flaps (4)	
Reserve Side Flaps (5)	
Main Closing Flap (6)	
Monogram Flaps (7)	
Leg Pads (8)	
Backpad (9)	
Pin Stripe #3 (side profile)	
Monogram \$ cost option	<input type="checkbox"/> Release Handle <input type="checkbox"/> Ripcord Pillow
Color:	
Text:	
Reserve Canopy Type	
<input type="checkbox"/> Spectra <input type="checkbox"/> Other _____	Year:
Main Canopy Type	
<input type="checkbox"/> Spectra <input type="checkbox"/> HMA <input type="checkbox"/> Vectran	Year:

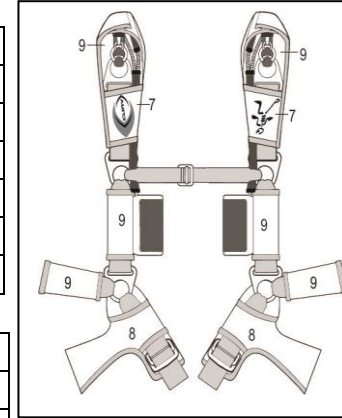
CUSTOMER INFORMATION	
Name:	
Address:	
City:	
State:	Zip Code:
Country:	Day Phone:
Email:	

CUSTOMER MEASUREMENTS: in cm

Sex	Height	Weight	Chest	Waist
Hip	Thigh	Inseam		

Flap #3 LOGO COLORS	
A:	
B:	
C:	
D:	

OPTIONS FOR FLAP #2			
A:	B:	C:	D:



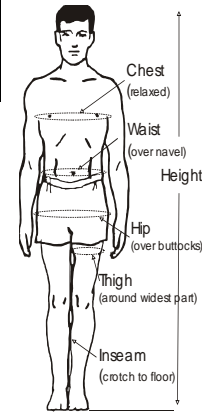
FLAP #7 RIGHT	
A:	
B:	
C:	
D:	
E:	

LOGO ON #7 FLAP

OPTIONS FOR FLAP #7 LEFT			
RIFF RAFF <input type="checkbox"/>	A:		
RI LOGO <input type="checkbox"/>	A:	B:	C:
WINGSUIT <input type="checkbox"/>	A:	B:	C:

Comments

PRICES SUBJECT TO CHANGE W/O NOTICE	
Curv (Fully loaded)	\$2999
MONOGRAM - Ripcord Pillow	\$30 <input type="checkbox"/>
MONOGRAM - Release Pillow	\$30 <input type="checkbox"/>
Magnetic Slider Stow	\$40 <input type="checkbox"/>
Wingsuit Mod	N/C <input type="checkbox"/>
Black SS Hardware	\$100 <input type="checkbox"/>
Mag-Stow deployment bag	\$110 <input type="checkbox"/>



OFFICE USE ONLY		DATE:	
Prod #:		Invoice #	

LP	LS	MLW	CH	HZ & SZ	YOKE	SIZE

DEALER